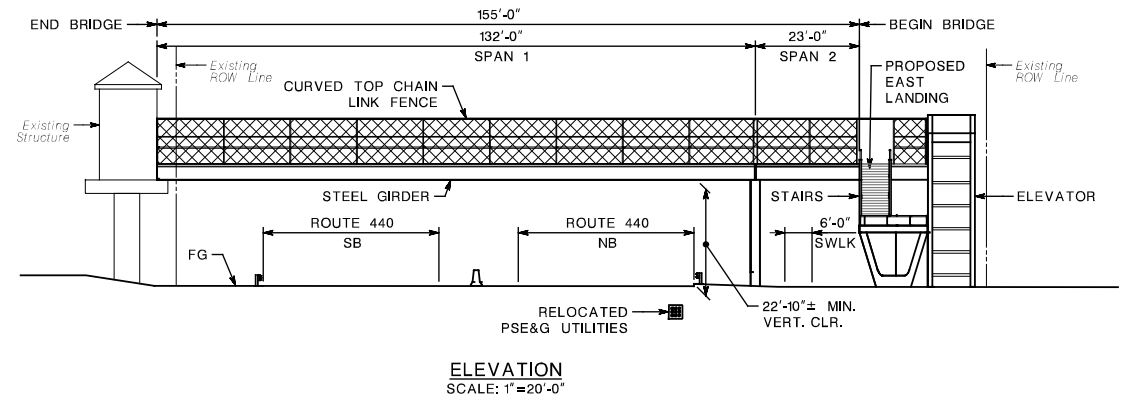
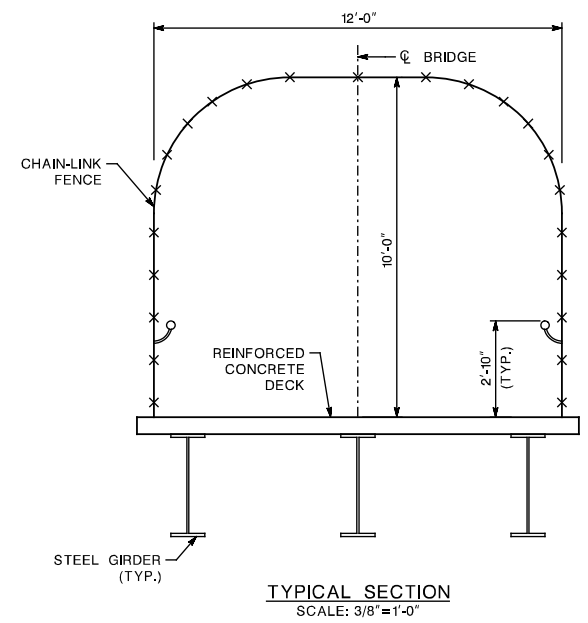
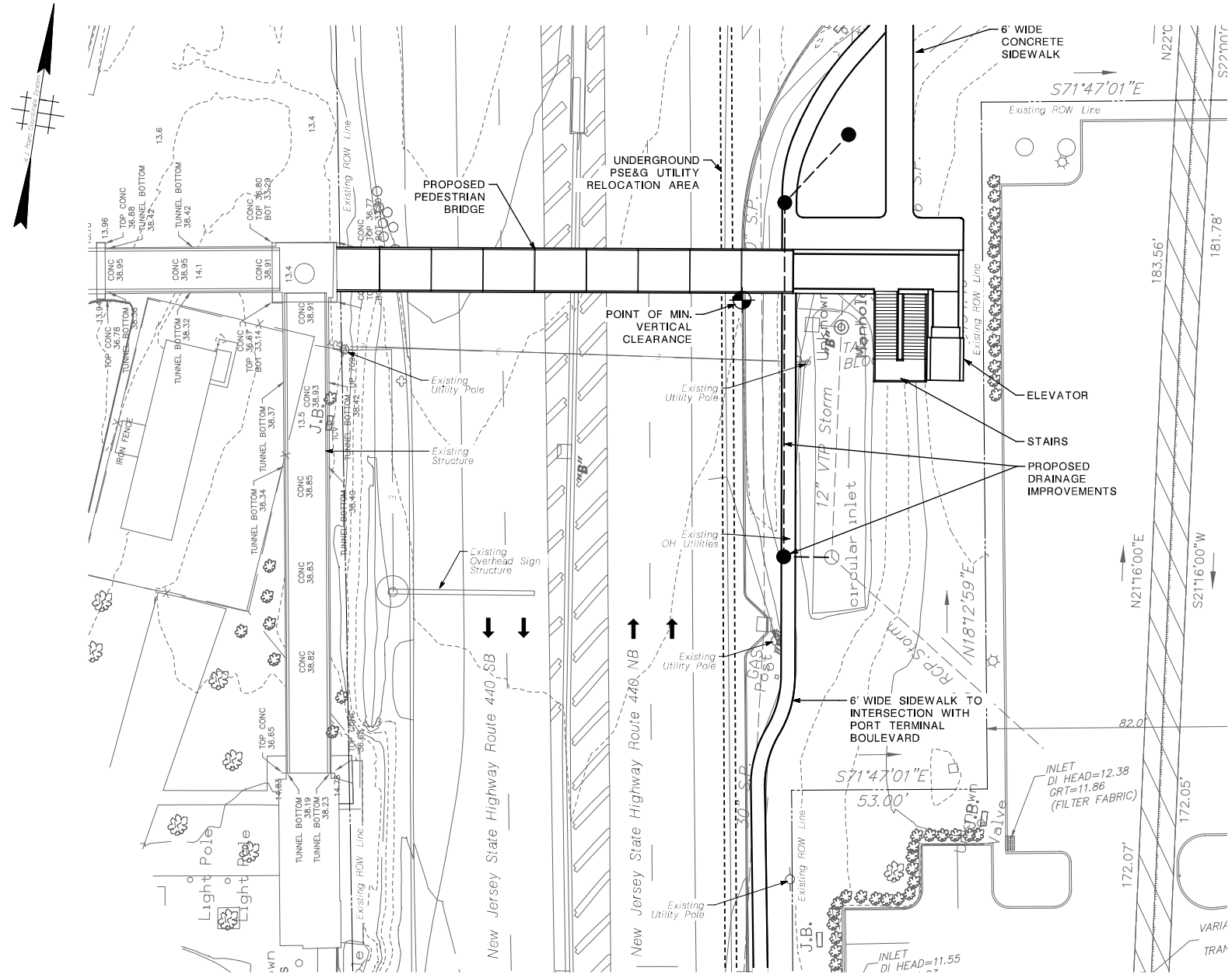


STRUCTURE NO.
 STRUCTURE NAME PEDESTRIAN BRIDGE OVER
 ROUTE 440 AT 34TH STREET



FILE NAME: CY22065_720PE04.DGN	CONTROL SECTION		JOB NO.	
TIME: 5:18:36 PM	DES. BY: D. FITZWILLIAM	CHK. BY: J. LESTER		
DATE: 9/6/2023	DWN. BY: S. BRACERO	EST. BY: D. FITZWILLIAM	CHK. BY: J. LESTER	
USERNAME: SICTD.BRACERO	SPECS. BY:	CHK. BY:		
IN CHARGE OF: J. LESTER				

BAYONNE PEDESTRIAN BRIDGE - CONCEPT DEVELOPMENT

ALTERNATIVE 4
SINGLE SPAN SIMPLE GIRDER
GENERAL PLAN AND ELEVATION

T.Y. LIN INTERNATIONAL
 CERTIFICATE OF AUTHORIZATION NO. 24GA27976000

BRIDGE SHEET NO. B-1 OF B-1

1/18